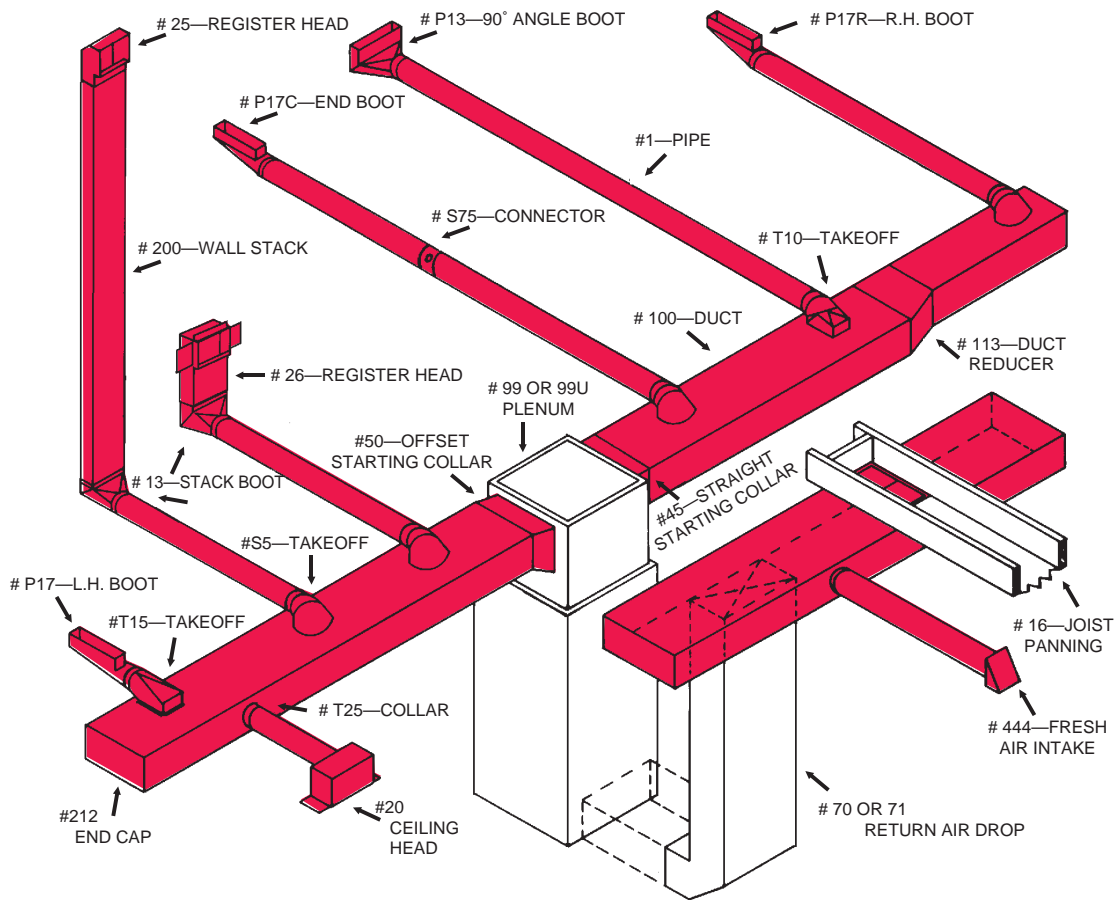




# PRODUCT CATALOG

**Comfort Distribution Products™**

# PERIMETER DUCT SYSTEM



## INDEX

ALUMINUM PRODUCTS.....	16, 17	PERIMETER BOOTS.....	8
BLACK PIPE/FITTINGS .....	20	PIPE .....	5
CAPS.....	4, 9, 13, 15	PIPE & DAMPER SECTION .....	13
CEILING DIFFUSER BOX .....	9	PLENUMS.....	3
CEILING HEADS .....	8	PVC FITTINGS.....	18
CLEATS .....	12	REDUCERS (ROUND).....	13
CONDUCTOR BAND.....	14	REGISTER BOX .....	9, 11
DAMPER BOX .....	12	REGISTER FRAMES.....	11
DAMPERS.....	12, 13	REGISTER HEADS.....	11
DIVERTERS .....	15	RETURN AIR DROPS.....	3
DRAWBANDS.....	5	ROOF PRODUCTS .....	15
DRYER VENT .....	16	SADDLES .....	13
DUCT/FITTINGS .....	4	SPIN-INS.....	7
ELBOWS/ANGLES (ROUND) .....	5	STAINLESS STEEL PRODUCTS.....	17
FILTER RACKS .....	4	TAKEOFFS .....	6
FLEX DUCT .....	16, 18	TEES .....	5, 14
FRESH AIR INTAKE.....	14	THIMBLE.....	14
HANGERS.....	12	VENT GRIP .....	13
HOLE CUTTER .....	14	WALLSTACK BOOTS.....	10
MAY-AIRE.....	20	WALLSTACK/FITTINGS .....	9, 10
OVAL PIPE/FITTINGS .....	19	WYES.....	14
PANNING.....	12		



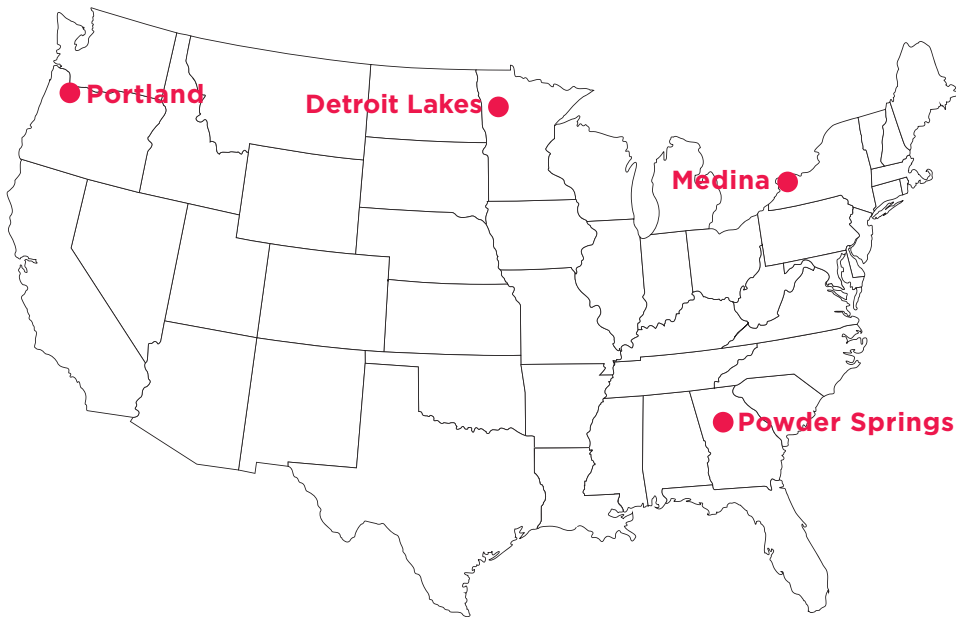
## Comfort Distribution Products™

1011 11th Ave. SE, Detroit Lakes, MN 56501	800-328-2044
3365 Florence Rd, Powder Springs, GA 30127	800-888-4391
214 Commercial St., Medina, NY 14103	800-229-0021
16233 N. East Cameron Blvd., Portland, OR 97230	800-300-1660

### A STATEMENT BY MANAGEMENT

THE GOAL OF A GOOD MANUFACTURER IS THE ABILITY TO DELIVER ITS PRODUCTS ON TIME AND PROVIDE THE QUALITY ITS CUSTOMERS EXPECT. THIS DEDICATION TO SERVICE AND QUALITY HAS EARNED OUR COMPANY LOYALTY AND RESPECT FROM OUR CUSTOMERS, AND HAS PROVIDED US WITH CONTINUOUS GROWTH SINCE OUR FORMATION IN 1955.

WE THANK YOU, OUR CUSTOMERS, FOR THE PURCHASE AND USE OF OUR PRODUCT LINE, AND WE PLEDGE TO MAINTAIN OUR REPUTATION FOR QUALITY AND SERVICE.



**MULTIPLE SNAPPY LOCATIONS INSURE PROMPT DELIVERY TO OUR MANY DISTRIBUTORS.**



THE SNAPPY ADVANTAGE



Snappy is a leading manufacturer of forced air fittings with manufacturing locations in Minnesota, Colorado and Oregon. Snappy provides the highest quality product and very best delivery with virtually no back orders. Our products conform to the standard sheet metal size and gauge specifications.

**PRODUCT ADVANTAGES:**

**PLENUMS** – Snappy offers two styles: the #99 made to the customer's exact specifications or the #99U made in many standard width and height combinations.

**RETURN AIR DROPS AND FILTER RACKS** – Snappy manufactures a number of drops, support boxes and filter racks; many additional sizes are also available.

**RECTANGULAR DUCT** – Snappy manufactures all standard rectangular duct dimensions in 4', 5' and 8' lengths. All duct sizes and lengths are produced on the Snappy revolutionary Automatic Duct Line, insuring the highest quality duct available in today's industry.

**RECTANGULAR DUCT FITTINGS** – Die punched parts and riveted construction make Snappy duct fittings the best in the market.

**ROUND TO ROUND AND RECTANGULAR TO ROUND TAKEOFFS** – Machine produced components and die punched parts make Snappy takeoffs size consistent with dependable high quality. Snappy S-5 and T-5 have a patented base section for speed and ease of installation.

**PIPE AND ELBOWS** – All the Snappy pipe is manufactured on coil fed, highly automated lines providing a consistent size and snap-lock. Elbows are produced on the Snappy Automatic Elbow Machines, ensuring high quality, ease of adjustment and perfect sizing.

**PERIMETER BOOTS, STACK BOOTS, REGISTER AND CEILING HEADS** – Die punched parts, consistent quality and size, riveted construction, air tight with hemmed collars.

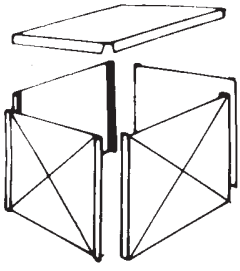
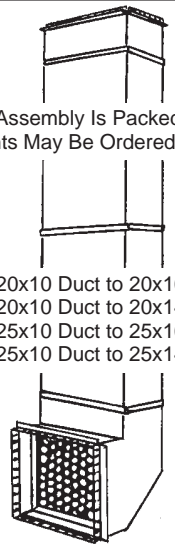
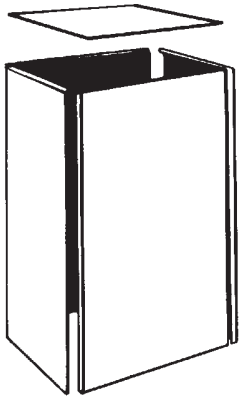
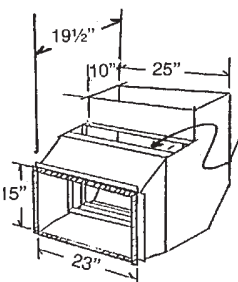
**PVC FITTINGS** – PVC coated 26 GA steel, 3 mil thickness on the outside and 1 mil on the inside. All fittings manufactured to the same Snappy standards for high quality and consistent sizing. All applicable fittings shipped with styrofoam inserts for poured cement installations.

**OVAL PIPE AND FITTINGS** – The most economical system for second story installations. The finest in the industry. The boots are made to fit within the floor joists and not hang below.

**BLACK-TITE PIPE AND FITTINGS** – Made on Snappy automated equipment using a mill-finish, scratch resistant steel, producing the most aesthetic product in the wood heat industry.

**MAY-AIRE FRESH AIR EXCHANGER** - A compact, lightweight, highly efficient unit designed for easy installation and years of trouble free service.

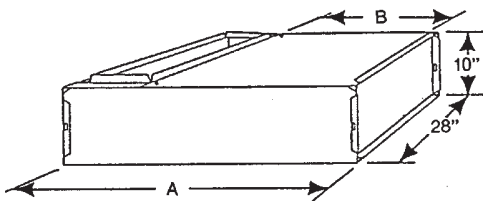
## PLENUMS & RETURN AIR DROPS

 <p style="text-align: center;">No. 99 Custom Plenum</p>	<p><b>Ordering Information</b></p> <p>No. 99 Custom Plenums are made to your exact dimensions to fit equipment without trimming.</p> <p style="text-align: center;">_____</p> <p>Top is included.</p> <p style="text-align: center;">_____</p> <p>Each Plenum is packed individually.</p>	 <p style="text-align: center;">RETURN AIR DROP ASSEMBLY</p> <p>Each Drop Assembly Is Packed Individually Components May Be Ordered Separately</p> <p>No. 70 20x10 Duct to 20x16 Filter No. 70K 20x10 Duct to 20x14 Filter No. 71 25x10 Duct to 25x16 Filter No. 71K 25x10 Duct to 25x14 Filter</p> <p style="text-align: right;">Throat Dim 5"</p>																						
 <p style="text-align: center;">No. 99U Universal Plenum</p> <p>Panels can be trimmed to fit any size smaller.</p>	<p><b>Ordering Information</b></p> <p>No. 99U Universal Plenum Panels</p> <table border="1" style="width: 100%; border-collapse: collapse;"> <thead> <tr> <th>Width</th> <th>Heights</th> </tr> </thead> <tbody> <tr><td>14</td><td>29 35 47</td></tr> <tr><td>16</td><td>29 35 47</td></tr> <tr><td>18</td><td>29 35 47</td></tr> <tr><td>20</td><td>29 35 47</td></tr> <tr><td>22</td><td>29 35 47</td></tr> <tr><td>24</td><td>29 35 47</td></tr> <tr><td>26</td><td>29 35 47</td></tr> <tr><td>28</td><td>29 35 47</td></tr> <tr><td>30</td><td>29 35 47</td></tr> <tr><td>32</td><td>29 35 47</td></tr> </tbody> </table> <p>Order top separately to fit widest panel.</p> <p style="text-align: center;">_____</p> <p>Each Plenum is packed individually.</p>	Width	Heights	14	29 35 47	16	29 35 47	18	29 35 47	20	29 35 47	22	29 35 47	24	29 35 47	26	29 35 47	28	29 35 47	30	29 35 47	32	29 35 47	<p><b>RETURN AIR DROP ASSEMBLY</b></p> <p><b>EACH CONTAINS:</b></p> <ul style="list-style-type: none"> <li>• 1-Starting Elbow w/Filter Frame</li> <li>• 2-32" Duct Sections</li> <li>• 1-Starting Collar</li> <li>• Slips and Drives</li> </ul>
Width	Heights																							
14	29 35 47																							
16	29 35 47																							
18	29 35 47																							
20	29 35 47																							
22	29 35 47																							
24	29 35 47																							
26	29 35 47																							
28	29 35 47																							
30	29 35 47																							
32	29 35 47																							
		<p><b>RETURN AIR DROP ASSEMBLY</b></p> <p>#71-2315 *Accepts 1", 4" or 5" Media Filter</p>  <p><b>EACH CONTAINS:</b></p> <ul style="list-style-type: none"> <li>• 1-Starting Elbow w/Filter Frame</li> <li>• 2-32" Duct Sections</li> <li>• 1-Starting Collar</li> <li>• Slips and Drives</li> </ul>																						

### RETURN AIR/SUPPORT BOXES

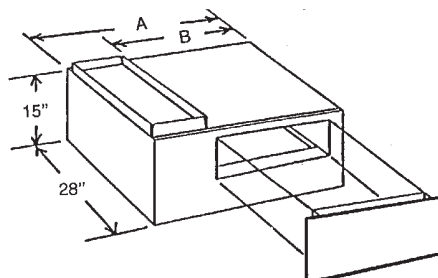
Compact and fully assembled for quick installations. Heavy gauge galvanized construction with interior support bracket for maximum strength. Preformed 1" flange for return air duct connection. Two sizes fit all of the bottom return air dimensions on the new lower-profile furnaces. The installer simply cuts the appropriate sized return air opening. The support box raises the furnace for easier servicing.

#### Return Air Support Box - SB Series



	SB 30	SB 38
A Dimension	30"	38"
B Dimension	20"	26"
Return Air Duct Size	8x24	10x25

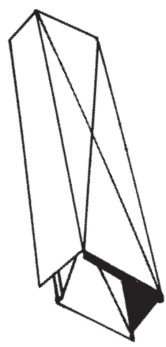
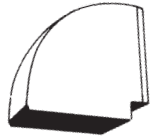
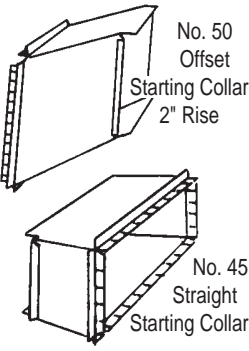
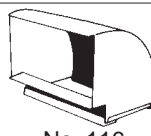
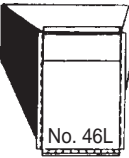

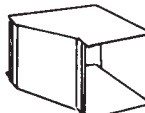

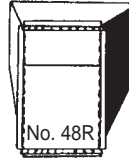
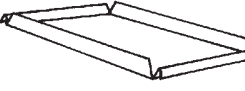

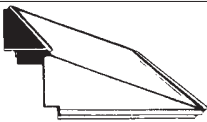
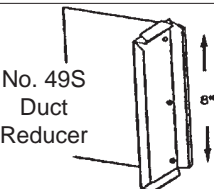
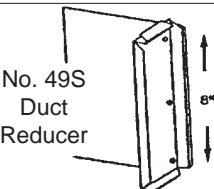
#### Return Air Support Box For Filters SBF Series



\*Accepts 1", 4" or 5" Media Filter


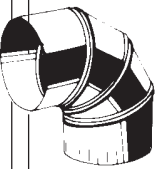


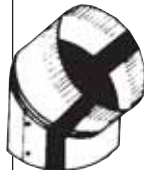

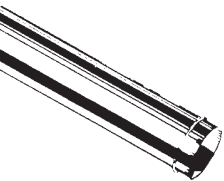

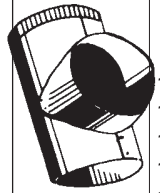
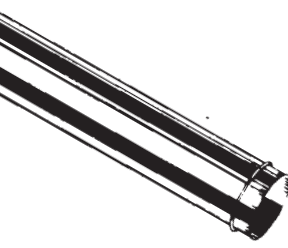

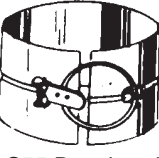
	SBF 30	SBF 36
A Dimension	30"	36"
B Dimension	22"	26"
Return Air Duct Size	8x24	10x25
Weight	33 lbs.	35 lbs.

## DUCT AND FITTINGS

Number and Item		Size	Ctn.	Number and Item		Size	Ctn.		
 <p>No. 100 4', 5' and 8' Duct</p>	28 ga	8 x 8	6 Jts. 5 Jts. As Ordered	 <p>No. 190 90° B.W. Elbow Radius=2" x 2"</p>	8 x 8	6	190		
		10 x 8			10 x 8	6	109		
		12 x 8			12 x 8	6	45° B.W. Angle	6	106
		14 x 8			14 x 8	3	116	106	
		16 x 8			16 x 8	3	106	106	
		18 x 8			18 x 8	3	106	106	
	26 ga	20 x 8			20 x 8	3	106	106	
		22 x 8			22 x 8	3	106	106	
		24 x 8			24 x 8	3	106	106	
		26 x 8			26 x 8	As	106	106	
		30 x 8			30 x 8	Ordered	106	106	
		30 x 8			30 x 8	Ordered	106	106	
 <p>No. 50 Offset Starting Collar 2" Rise</p> <p>No. 45 Straight Starting Collar</p>	8 x 8	6	 <p>No. 116 90° S.W. Elbow Radius=2" x 2"</p>	8 x 8	6	116			
	10 x 8	6		10 x 8	6	106			
	12 x 8	6		12 x 8	6	106			
	14 x 8	6		14 x 8	6	106			
	16 x 8	6		16 x 8	6	106			
	18 x 8	6		18 x 8	6	106			
	20 x 8	6		20 x 8	6	106			
	22 x 8	6		22 x 8	3	106			
	24 x 8	6		24 x 8	3	106			
	26 x 8	As		26 x 8	As	106			
30 x 8	Ordered	30 x 8	Ordered	106					
 <p>No. 46L Transition</p>	Duct Size	Plenum Size 46L & 48R	Plenum Size 47C	Ctn Qty.	 <p>No. 106 45° S.W. Angle</p>	 <p>No. 113 Reducer (State Sizes)</p>	113 As Ordered		
								14 x 8	12 x 10
	 <p>No. 47C Transition 2" Rise</p>	16 x 8	13 x 10	13 x 10				3	
		18 x 8	15 x 10	15 x 10				3	
		20 x 8	16 x 10	18 x 10				3	
		22 x 8	18 x 10	18 x 10				3	
		24 x 8	16 x 12	20 x 10				3	
		26 x 8	15 x 14	22 x 10				3	
		30 x 8	18 x 14	24 x 12				3	
		 <p>No. 48R Transition</p>							
					 <p>No. 212FSD (For Slip &amp; Drive)</p>	2 x 8 4 x 8 6 x 8 8 x 8	12 12 12 12		
 <p>No. FR Filter Rack</p>	Size		Ctn.					 <p>No. 49 Duct Reducer</p>	2 x 8 4 x 8 6 x 8 8 x 8
	14 x 20			12					
	16 x 20			12					
	16 x 25			12					
	20 x 20			12					
	20 x 25			12					
 <p>No. 49S Duct Reducer</p>	Size		Ctn.		 <p>No. 49S Duct Reducer</p>	2 x 8 4 x 8 6 x 8 8 x 8	12 12 12 12		
	14 x 20			12					
	16 x 20			12					
	16 x 25			12					
	20 x 20			12					

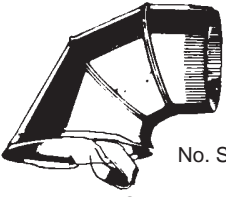
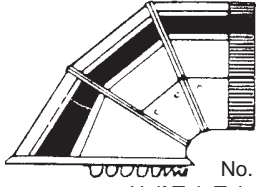
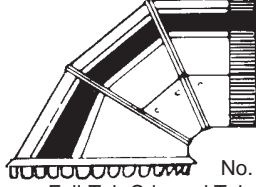
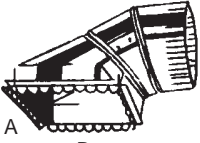
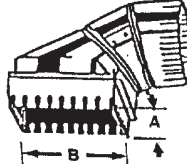
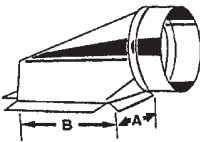
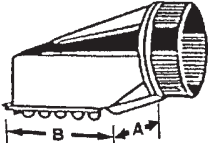
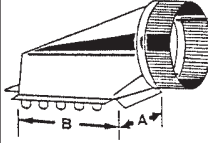
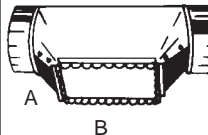
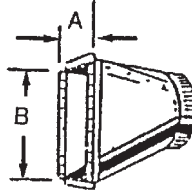
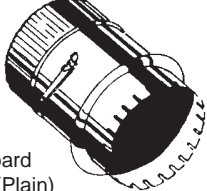
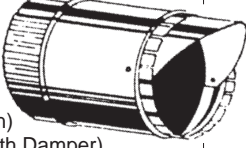
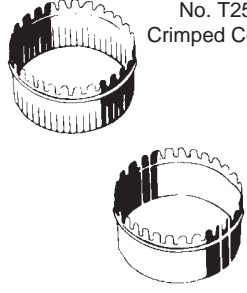
## PIPE, ELBOWS, TEES AND DRAWBANDS

PIPE, ELBOWS, TEES AND DRAWBANDS

Number and Item		Size	Ga.	Ga.	Ctn.	Number and Item	Size	Ga.	Ga.	Ga.	Ga.	Ctn.		
 No. 1 2' Galvanized Pipe		3"	Std.	28	25 Jts.	 No. 3 90° Elbows	3"	Std.	28	26		12		
		4"	Std.	28	25 Jts.		4"	Std.	28	26			12	
		5"	Std.	28	25 Jts.		5"	Std.	28	26	24		12	
		6"	Std.	28	25 Jts.		6"	Std.	28	26	24		12	
		7"	Std.	28	25 Jts.		7"	Std.	28	26	24		12	
		8"	Std.	28	25 Jts.		8"	Std.	28	26	24		12	
		9"	Std.	28	25 Jts.		9"	Std.	28	26	24		12	
		10"	Std.		25 Jts.		10"	Std.	28	26	24		12	
		12"	Std.		25 Jts.				28	26	24	4		
		10"			10 Jts.		28					24	4	
		12"			10 Jts.		28					24	4	
		 Snaplock		3"	26			10 Jts.	18" & Larger Are Bolt-Type					
4"	26				10 Jts.	4"	Std.	28	26		24			
5"	26			24	10 Jts.	5"	Std.	28	26	24	24			
6"	26			24	10 Jts.	6"	Std.	28	26	24	24			
7"	26			24	10 Jts.	7"	Std.	28	26	24	24			
8"	26			24	10 Jts.	8"	Std.	28	26	24	24			
9"	26			24	10 Jts.	9"	Std.	28	26	24	24			
10"	26			24	10 Jts.	10"	Std.	28	26	24	12			
 Buttonlock		12"	26	24	10 Jts.	 No. 4 45° Angle		12"		28	26	24	12	
		14"	26	24	10 Jts.			14"		26	24	AO		
		16"	26	24	10 Jts.			16"		26	24	AO		
		18"	26	24	10 Jts.			18"		26	24	AO		
		 Hammerlock		20"	26			24	As	20"		26	24	AO
				22"	26			24	Ordered	22"		26	24	AO
				24"	26			24		24"		26	24	AO
				 2' Hammerlock						As				
						Ordered								
						24								
						24								
						24								
		24												
		24												
		24												
 No. 1 5' Galv. Pipe		Size	Ga.	Ga.	Ga.	Ga.	Ctn.	 No. 6 90° Tee						
		3"	Std.				10 Jts.							
		4"	Std.	28	26		10 Jts.							
		5"	Std.	28	26	24	10 Jts.							
		6"	Std.	28	26	24	10 Jts.							
		7"	Std.	28	26	24	10 Jts.							
		8"	Std.	28	26	24	10 Jts.							
		9"	Std.	28	26	24	10 Jts.							
		10"	Std.	28	26	24	10 Jts.							
		12"	Std.	28	26	24	10 Jts.							
14"	Std.	28	26	24	10 Jts.									
 No. 1 10' Galv. Pipe		Size	Ga.	Ctn.	 No. S75 Drawband   No. S55 Drawband									
		3"	Std.	5 Jts.										
		4"	Std.	5 Jts.										
		5"	Std.	5 Jts.										
		6"	Std.	5 Jts.										
		7"	Std.	5 Jts.										
		8"	Std.	5 Jts.										
		Size	Ctn.											
4"	24													
5"	24													
6"	24													
7"	24													
8"	24													
9"	24													
10"	24													
12"	24													

DUCT AND FITTINGS

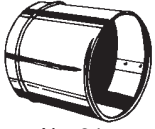

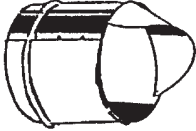
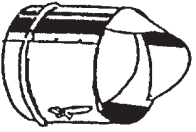
## TAKEOFFS

 <p>No. S5 Snappy Adjustable Pivot Takeoff</p>	4"	12			
	5"	12			
	6"	12			
	7"	12			
 <p>No. T5 Half Tab Takeoff</p>	4"	12			
	5"	12			
	6"	12			
	7"	12			
 <p>No. T7 Full-Tab Crimped Takeoff</p>	5"	12			
	6"	12			
	7"	12			
	8"	12			
<p>Number and Item</p>	Rectangular Dimension		Size	Ctn.	
	A	B			
 <p>No. T10 2" Rise Takeoff</p>	5"	6"	5"	12	
	6"	7"	6"	12	
	7"	8"	7"	12	
	7"	10"	8"	12	
 <p>No. T12 Ductboard Takeoff</p>	5"	6"	5"	12	
	6"	7"	6"	12	
	7"	8"	7"	12	
	8"	10"	8"	12	
 <p>No. T14 Zero Rise Takeoff No Tabs</p>	5"	5"	4"	12	
	6"	6"	5"	12	
	7"	7"	6"	12	
	9"	7"	7"	12	
	10"	8"	8"	12	
 <p>No. T15 Zero Rise Takeoff</p>	5"	6"	5"	12	
	6"	6 3/4"	6"	12	
	7"	8"	7"	12	
	8"	9"	8"	12	
<p>Number and Item</p>	Rectangular Dimension		Size	Ctn.	
	A	B			
	 <p>No. T16 Non-Adjustable 1 1/4" Rise Takeoff</p>	5"	7"	5"	12
		6"	7"	6"	12
		7"	8"	7"	12
7"		9"	8"	12	
 <p>No. T17 Double Top Takeoff</p>	5"	7"	5"	12	
	6"	8"	6"	12	
	7"	9"	7"	12	
	8"	10"	8"	12	
 <p>No. T19 Straight Takeoff</p>	5"	6"	5"	12	
	6"	8"	6"	12	
	7"	9"	7"	12	
	7"	10"	8"	12	
	8"	10"	10"	AO	
	10"	14"	12"	AO	
<p>Number and Item</p>	Size		Ctn.		
 <p>No. 89 Duct Board No. 89 (Plain) No. 89D (With Damper) No. 89S (With Scoop) No. 89SD (With Scoop and Damper)</p>	5"	12			
	6"	12			
	7"	12			
	8"	12			
	9"	12			
	10"	12			
	12"	12			
	14"	12			
	16"	AO			
 <p>No. T27 Metal T27 (Plain) T27D (With Damper) T27S (With Scoop) T27SD (With Scoop and Damper)</p>	3"	36			
	4"	36			
	5"	36			
	6"	36			
	7"	36			
	8"	36			
	9"	36			
 <p>No. T25 Crimped Collar</p> <p>No. T26 Plain Collar</p>	10"	24			
	12"	24			
	14"	24			
	16"	AO			
	18"	AO			
	20"	AO			

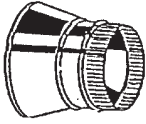
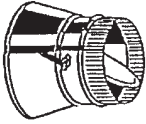
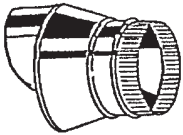
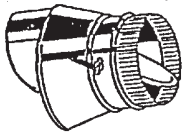
**SPIN-INS**

**SPIN-INS**

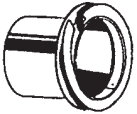
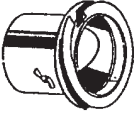

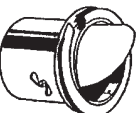
**METAL SPIN-INS**

Number and Item	Size	Ctn.
 No. 94 Takeoff	4"	12
	5"	12
	6"	12
	7"	12
	8"	12
 No. 95 Takeoff With Damper	9"	AO
	10"	AO
	12"	AO
	14"	AO
	16"	AO
	18"	AO
 No. 96 Takeoff W/Scoop		
 No. 97 Takeoff w/Scoop & Damper		

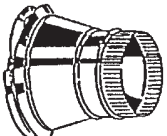
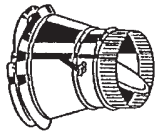
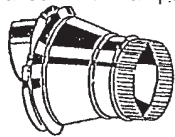
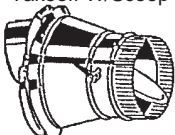
**METAL BELLMOUTHS**

Number and Item	Cone Size	Order Size	Ctn.
 No. 951 Takeoff	6"	4"	12
	7"	5"	12
	8"	6"	12
	9"	7"	12
	10"	8"	12
	11"	9"	AO
	12"	10"	AO
 No. 952 Takeoff With Damper	14"	12"	AO
	16"	14"	AO
	18"	16"	AO
	20"	18"	AO
	22"	20"	AO
 No. 953 Takeoff W/Scoop			
 No. 954 Takeoff w/Scoop & Damper			

**DUCT BOARD SPIN-INS**

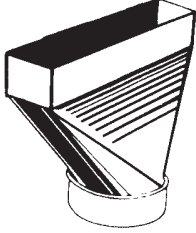
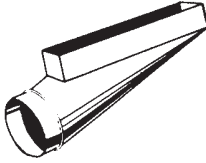
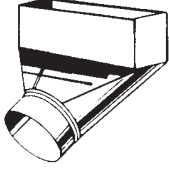


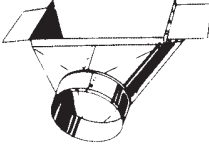
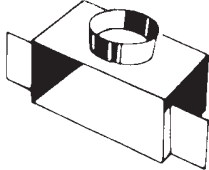
Number and Item	Size	Ctn.
 No. 90 Takeoff	4"	12
	5"	12
	6"	12
	7"	12
	8"	12
	9"	AO
	10"	AO
 No. 91 Takeoff With Damper	12"	AO
	14"	AO
	16"	AO
	18"	AO
 No. 92 Takeoff W/Scoop		
 No. 93 Takeoff w/Scoop & Damper		

**DUCT BOARD BELLMOUTHS**

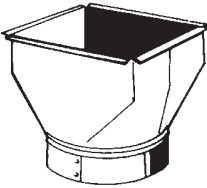

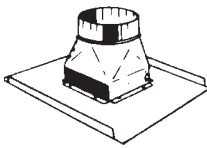
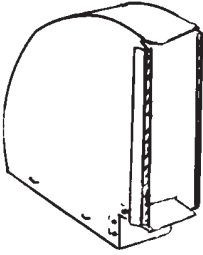
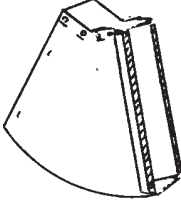

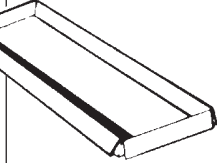
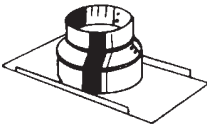

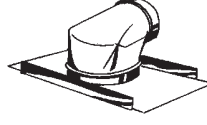
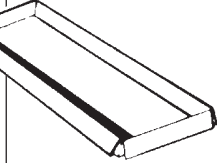
Number and Item	Cone Size	Order Size	Ctn.	
 No. 955 Takeoff	6"	4"	12	
	7"	5"	12	
	8"	6"	12	
	9"	7"	12	
	10"	8"	12	
	11"	9"	AO	
	12"	10"	AO	
	 No. 956 Takeoff With Damper	14"	12"	AO
		16"	14"	AO
		18"	16"	AO
		20"	18"	AO
22"		20"	AO	
 No. 957 Takeoff W/Scoop				
 No. 958 Takeoff w/Scoop & Damper				

**TAKEOFFS**

## PERIMETER BOOTS AND CEILING HEADS

Number and Item	Size	Collar	Ctn.	Number and Item	Size	Collar	Ctn.		
 <p style="text-align: center;">No. P5 Straight Perimeter Boot  2" Throat</p>	2 1/4 x 10	5" or 6"	12	 <p style="text-align: center;">No. P17 Center Boot 2" Throat</p>	2 1/4 x 10	5" or 6"	12		
	2 1/4 x 12	5", 6" or 7"	12		2 1/4 x 12	5", 6" or 7"	12		
	2 1/4 x 14	5", 6" or 7"	12		2 1/4 x 14	5", 6" or 7"	12		
	4 x 10	5", 6" or 7"	12		4 x 10	5", 6" or 7"	12		
	4 x 12	5", 6", 7", 8"	12		4 x 12	5", 6", 7", 8"	12		
	4 x 14	5", 6", 7", 8"	12		4 x 14	5", 6", 7", 8"	12		
	6 x 10	6", 7" or 8"	12		6 x 10	6", 7" or 8"	12		
	6 x 12	6", 7" or 8"	12		6 x 12	6", 7" or 8"	12		
	6 x 14	6", 7" or 8"	12		6 x 14	6", 7" or 8"	12		
	 <p style="text-align: center;">No. P7 45° Angle Perimeter Boot  2" Throat</p>	2 1/4 x 10	5" or 6"		12	 <p style="text-align: center;">No. P17L Left End Boot 2" Throat</p>	 <p style="text-align: center;">No. P17R Right End Boot 2" Throat</p>	 <p style="text-align: center;">No. PB13 Basement Boot</p>	
2 1/4 x 12		5", 6" or 7"	12	4 x 10	5" or 6"				12
2 1/4 x 14		5", 6" or 7"	12	4 x 12	5" or 6"				12
4 x 10		5", 6" or 7"	12	6 x 10	5" or 6"				12
4 x 12		5", 6", 7", 8"	12	6 x 12	5" or 6"				12
4 x 14		5", 6", 7", 8"	12	 <p style="text-align: center;">No. 20 Ceiling Register Head</p>	6 x 10 5" or 6"				12
6 x 10		6", 7" or 8"	12						
6 x 12		6", 7" or 8"	12						
6 x 14		6", 7" or 8"	12						
6 x 10		6", 7" or 8"	12						
6 x 12	6", 7" or 8"	12							

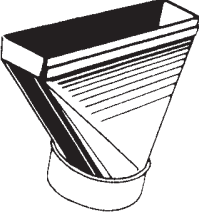

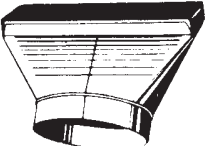

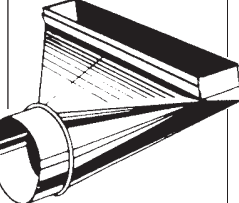
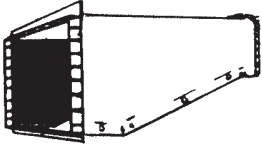
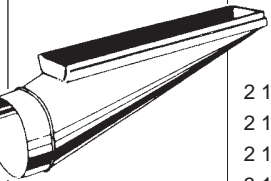
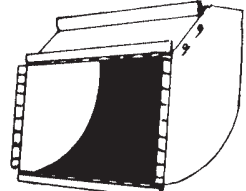
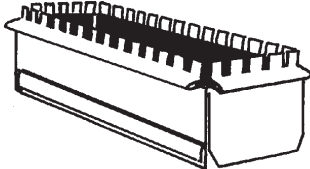
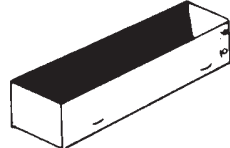
## WALL STACK AND FITTINGS

Number and Item	Size	Collar	Ctn.	Number and Item	Size	Ctn.			
 <p>No. 82 Funnel Register Box</p>	6 x 6	6"	A	 <p>No. 200 Wall Stack</p>	3 1/4 or 2 1/4 x 10	15 Jts.			
	8 x 8	8"	S				2 FOOT	3 1/4 or 2 1/4 x 12	15 Jts.
	10 x 10	10"	O					3 1/4 or 2 1/4 x 14	15 Jts.
	12 x 12	12"	R		4 FOOT	3 1/4 or 2 1/4 x 10		10 Jts.	
	8 x 10	8"	D			3 1/4 or 2 1/4 x 12	10 Jts.		
	8 x 12	8"	E			3 1/4 or 2 1/4 x 14	10 Jts.		
	9 x 12	9"	R			100" or 101"	3 1/4 or 2 1/4 x 10	A O S R D E R E D	
	10 x 12	10"	E		3 1/4 or 2 1/4 x 12				
12 x 14	12"	D	3 1/4 or 2 1/4 x 14						
 <p>No. 914 Ceiling Diffuser Box</p>	6 x 6	6"	6	 <p>No. 290 90° B.W. Elbow</p>	3 1/4 or 2 1/4 x 10	12			
	8 x 8	6"	6		3 1/4 or 2 1/4 x 12	12			
	10 x 10	7"	6		3 1/4 or 2 1/4 x 14	12			
	12 x 12	8"	6		 <p>No. 209 45° B.W. Angle</p>	 <p>No. 216 90° S.W. Elbow</p>	 <p>No. 213 Stack End Cap</p>		
	14 x 14	9"	6					3 1/4 or 2 1/4 x 10	12
 <p>No. 916 Ceiling Diffuser Box</p>	8	6"	6	3 1/4 or 2 1/4 x 12				12	
	10	7"	6	3 1/4 or 2 1/4 x 14				12	
	10	8"	6	 <p>No. 206 45° S.W. Angle</p>				3 1/4 or 2 1/4 x 10 3 1/4 or 2 1/4 x 12 3 1/4 or 2 1/4 x 14	12 12 12
	12	8"	6		8 10	6" 7"	6 6		
14	9"	6	Size Ctn.						
 <p>No. 917 Ceiling Diffuser Box</p>	8	6"			6	No. 213 Stack End Cap	3 1/4 or 2 1/4 x 10 3 1/4 or 2 1/4 x 12 3 1/4 or 2 1/4 x 14		
	10	7"	6	No. 216 90° S.W. Elbow	3 1/4 or 2 1/4 x 10 3 1/4 or 2 1/4 x 12 3 1/4 or 2 1/4 x 14			12 12 12	
	 <p>No. 213 Stack End Cap</p>	Size							Ctn.
3 1/4 or 2 1/4 x 10		12	No. 206 45° S.W. Angle			3 1/4 or 2 1/4 x 10 3 1/4 or 2 1/4 x 12 3 1/4 or 2 1/4 x 14	12 12 12		
3 1/4 or 2 1/4 x 12		12		No. 206 45° S.W. Angle	3 1/4 or 2 1/4 x 10 3 1/4 or 2 1/4 x 12 3 1/4 or 2 1/4 x 14			12 12 12	
3 1/4 or 2 1/4 x 14		12							No. 206 45° S.W. Angle

WALL STACK AND FITTINGS

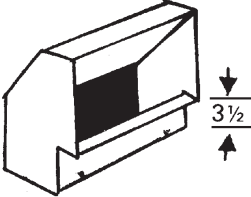
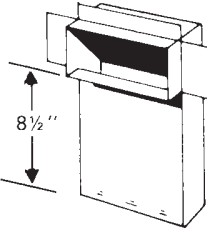
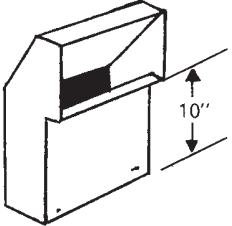
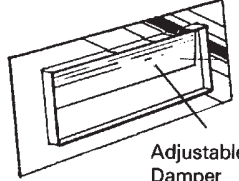
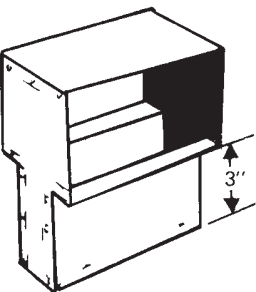
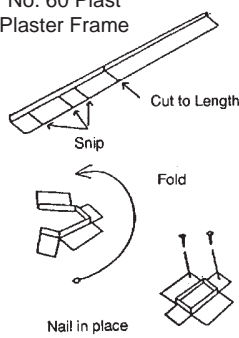
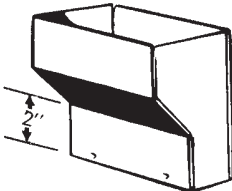
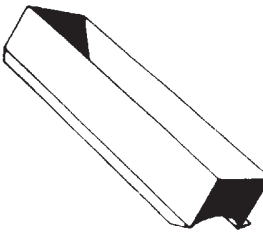
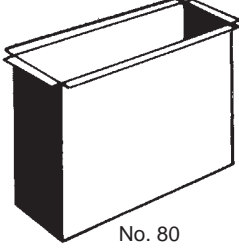
PERIMETER BOOTS AND CEILING HEADS

## WALL STACK BOOTS AND FITTINGS

Number and Item	Size	Collar	Ctn.	Number and Item	Size	Collar	Ctn.
 No. 5 Straight Stack Boot	2 1/4 x 10	5", 6" or 7"	12	 No. 17L Left End Stack Boot	2 1/4 x 10	5", 6" or 7"	12
	2 1/4 x 12	5", 6" or 7"	12		2 1/4 x 12	5", 6" or 7"	12
	2 1/4 x 14	5", 6" or 7"	12		2 1/4 x 14	5", 6" or 7"	12
	3 1/4 x 10	5", 6", 7", 8"	12		3 1/4 x 10	5", 6", 7", 8"	12
	3 1/4 x 12	5", 6", 7", 8"	12		3 1/4 x 12	5", 6", 7", 8"	12
	3 1/4 x 14	5", 6", 7", 8"	12		3 1/4 x 14	5", 6", 7", 8"	12
 No. 7 45° Angle Stack Boot	2 1/4 x 10	5", 6" or 7"	12	 No. 17R Right End Stack Boot	2 1/4 x 10	5", 6" or 7"	12
	2 1/4 x 12	5", 6" or 7"	12		2 1/4 x 12	5", 6" or 7"	12
	2 1/4 x 14	5", 6" or 7"	12		2 1/4 x 14	5", 6" or 7"	12
	3 1/4 x 10	5", 6", 7", 8"	12		3 1/4 x 10	5", 6", 7", 8"	12
	3 1/4 x 12	5", 6", 7", 8"	12		3 1/4 x 12	5", 6", 7", 8"	12
	3 1/4 x 14	5", 6", 7", 8"	12		3 1/4 x 14	5", 6", 7", 8"	12
 No. 13 90° Stack Boot	2 1/4 x 10	5", 6" or 7"	12	<b>Number and Item</b>		<b>Size</b>	
	2 1/4 x 12	5", 6" or 7"	12	 No. 35 Offset Starting Collar		<b>Ctn.</b>	
	2 1/4 x 14	5", 6" or 7"	12				
	3 1/4 x 10	5", 6", 7", 8"	12				
	3 1/4 x 12	5", 6", 7", 8"	12				
	3 1/4 x 14	5", 6", 7", 8"	12				
 No. 17 End Stack Boot	2 1/4 x 10	5", 6" or 7"	12				
	2 1/4 x 12	5", 6" or 7"	12	 No. 40 90° Starting Collar		<b>Ctn.</b>	
	2 1/4 x 14	5", 6" or 7"	12				
	3 1/4 x 10	5", 6", 7", 8"	12				
	3 1/4 x 12	5", 6", 7", 8"	12				
	3 1/4 x 14	5", 6", 7", 8"	12				
 No. 36 Straight Starting Collar	2 1/4 x 10	5", 6" or 7"	12				
	2 1/4 x 12	5", 6" or 7"	12	 No. 33 Straight Boot Extension		<b>Ctn.</b>	
	2 1/4 x 14	5", 6" or 7"	12				
	3 1/4 x 10	5", 6", 7", 8"	12				
	3 1/4 x 12	5", 6", 7", 8"	12				
	3 1/4 x 14	5", 6", 7", 8"	12				

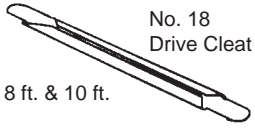
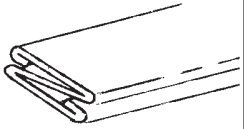
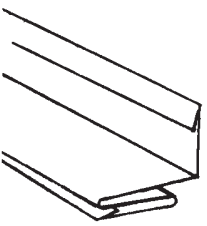
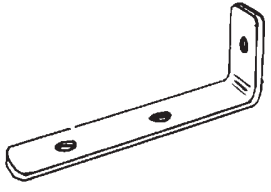
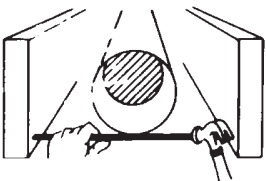
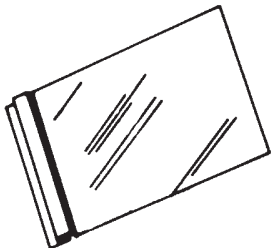
## REGISTER HEADS, FRAMES AND TAKEOFFS




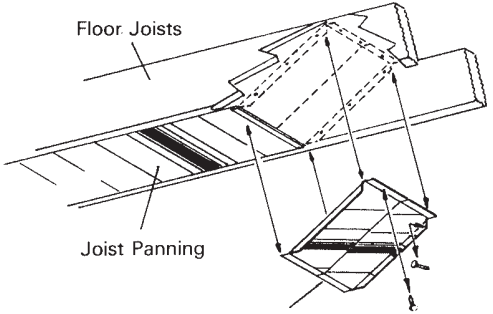
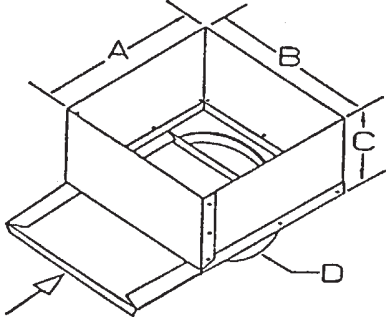
REGISTER HEADS, FRAMES AND TAKEOFFS

Number and Item	Size	Ctn.	Number and Item	Size	Ctn.
 <p>No. 2S Short Register Stack Head</p>	3 1/4 or 2 1/4 x 10 to 6 x 10	12	 <p>No. 26 Register Head</p>	3 1/4 or 2 1/4 x 10 to 6 x 10	12
	3 1/4 or 2 1/4 x 12 to 6 x 12	12		3 1/4 or 2 1/4 x 12 to 6 x 12	12
	3 1/4 or 2 1/4 x 14 to 6 x 14	12		3 1/4 or 2 1/4 x 14 to 6 x 14	12
 <p>No. 2L Long Register Stack Head</p>	3 1/4 or 2 1/4 x 10 to 6 x 10	12	 <p>Adjustable Damper</p> <p>Wall Register Frame No. 24FD (With Damper) No. 24 F (Without Damper)</p>	10 x 6	25
	3 1/4 or 2 1/4 x 12 to 6 x 12	12		12 x 6	25
	3 1/4 or 2 1/4 x 14 to 6 x 14	12		12 x 8	25
				14 x 6	25
				14 x 8	25
			30 x 6	As Ordered	
 <p>No. 2D Double Register Stack Head</p>	3 1/4 or 2 1/4 x 10 to 6 x 10	12	 <p>No. 60 Plast Plaster Frame</p> <p>Cut to Length Snip Fold Nail in place</p>	1/2 x 2 1/4 x 5' Long 30 ga.	50' Bundle
	3 1/4 or 2 1/4 x 12 to 6 x 12	12			
	3 1/4 or 2 1/4 x 14 to 6 x 14	12			
 <p>No. 32 Straight Register Stack head</p>	3 1/4 or 2 1/4 x 10 to 6 x 10	12	 <p>No. 101 Register Takeoff</p>	2 1/4 x 10	12
	3 1/4 or 2 1/4 x 12 to 6 x 12	12		2 1/4 x 12	12
	3 1/4 or 2 1/4 x 14 to 6 x 14	12		4 x 10	12
		4 x 12		12	
				4 x 14	12
			 <p>No. 80 Floor Box 6" thru 12" Deep</p>	6 x 10	12
				6 x 12	12
				8 x 10	12
				8 x 12	12
				9 x 12	12
				10 x 12	A/O
				12 x 14	A/O
			14 x 16	A/O	


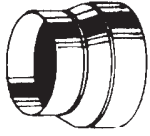
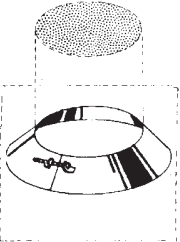

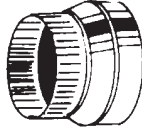
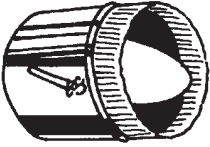



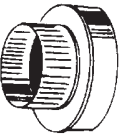
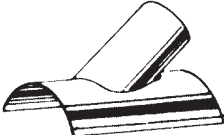
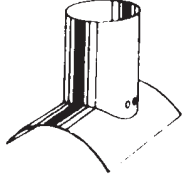
WALL STACK BOOTS AND FITTINGS

## CLEATS, HANGERS, PANNING AND DAMPERS

Number and Item	Size	Ctn.
 <p>No. 18 Drive Cleat</p> <p>8 ft. &amp; 10 ft.</p>  <p>No. 20 "S" Cleat</p> <p>8' - 15 per ctn. 10' - 15 per ctn.</p>	8"	100
	10"	100
	12"	100
	14"	100
	16"	100
	18"	50
	20"	50
	22"	50
	24"	50
	36"	50
	48"	50
	60"	50
	 <p>No. 22 Standing "S" Cleat</p>	5/8"
1"		26 Ga. or 24 Ga. 10' 10 Pcs.
 <p>No. 333 Duct Hanger</p>	13/16"x2 1/4"	1000
 <p>No. 344 Pipe Bracket Non-Adjustable</p>	For 16" On Center Joist	50
 <p>No. 16 Galvanized Joist Panning No. 16 A Aluminum Joist Panning</p>	Size	Bundle
	<u>Galvanized</u> 16 1/2 x 36 32 x 36 32 x 48  <u>Aluminum</u> 16 1/2 x 48 32 x 48	20 Shts 6 Shts 6 Shts  25 Shts 6 Shts

Number and Item	Size	Ctn.		
 <p>No. 8 Round Damper</p>  <p>No. 9 Round Damper</p>	6"	100		
	7"	100		
	8"	100		
	9"	As Ordered		
	10"			
	12"			
 <p>No. 9 Round Damper</p> <p>Note: All no. 9 dampers 8" and larger have two damper studs.</p>	4" to 18"	100		
		100		
		100		
		100		
 <p>Floor Joists</p> <p>Joist Panning</p> <p>Adjustable Joist Pan Header</p> <p>15A Aluminum Adjustable Header 15G Galvanized Adjustable Header 19A Aluminum Non-Adjustable Header 19G Galvanized Non-Adjustable Header</p> <p>Packaged 24 Per Carton</p>				
<h3>SWAMP COOLER DAMPER BOX</h3>  <p>Volume Damper</p>				
Part Number	A	B	C	D
SC141412	14"	14"	6"	12"
SC181816	18"	18"	6"	16"
SC202018	20"	20"	6"	18"

## DAMPERS, VENT GRIP, REDUCERS, CAPS AND SADDLES

Number and Item	Size	Ctn.	Number and Item	Size	Ctn.
 <p>No. 12 Volume Damper</p>	8 x 8	12	 <p>No. 66 No Crimp Tapered Reducer-Increaser</p>	4 x 3	12
	10 x 8	12		5 x 3 or 4	12
	12 x 8	12		6 x 3, 4 or 5	12
	14 x 8	12		7 x 4, 5 or 6	12
	16 x 8	12		8 x 5, 6 or 7	12
	18 x 8	12		9 x 6, 7 or 8	12
	20 x 8	12		10 x 7, 8 or 9	12
	22 x 8	12		12 x 8, 9 or 10	12
	24 x 8	12		14 x 8, 9, 10 or 12	AO
	26 x 8	12		16 x 10, 12 or 14	AO
	30 x 8	12			
 <p>No. 107 Vent Grip</p>	4"	"B" VENT O.D. 4 1/2 x 4-5/8"	12	 <p>No. 67 Big End Crimped Tapered Reducer-Increaser</p>	 <p>No. 68 Small End Crimped Tapered Reducer-Increaser</p>
	5"	5 1/2 x 5-5/8"	12		
	6"	6 1/2 x 6-5/8"	12		
	7" SML	7 1/2"	12		
	7" BIG	8"	12		
	8" SML	8 1/2"	12		
	8" BIG	9"	12		
	9"	10 x 11 1/2"	12		
	10"	11 x 12 1/2"	12		
 <p>No. PDS Pipe &amp; Damper Sect.</p>	5"	12	 <p>No. 64 Plain Cap</p>	3"	12
	6"	12		4"	12
	7"	12		5"	12
	8"	12		6"	12
	9"	12		7"	12
 <p>No. 61 No Crimp Flat Reducer-Increaser</p>  <p>No. 62 Big End Crimped Flat Reducer-Increaser</p>  <p>No. 63 Small End Crimped Flat Reducer-Increaser</p>	4 x 3	12	 <p>No. 65 Crimped Cap</p>  <p>No. 403 45° Vent Saddle</p>  <p>No. 404 90° Vent Saddle</p>	8"	12
	5 x 3 or 4	12		10"	12
	6 x 3, 4 or 5	12		12"	12
	7 x 4, 5 or 6	12		14"	AO
	8 x 5, 6 or 7	12		16"	AO
	9 x 6, 7 or 8	12		18"	AO
	10 x 7, 8 or 9	12			
	12 x 8, 9 or 10	12			

DAMPERS, VENT GRIP, REDUCERS, CAPS AND SADDLES

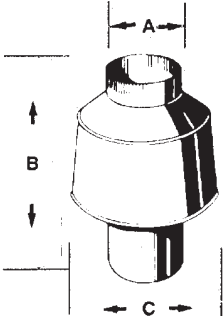
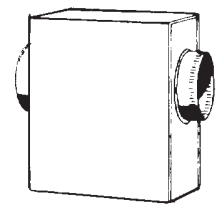
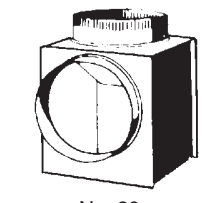
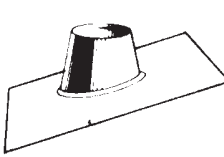
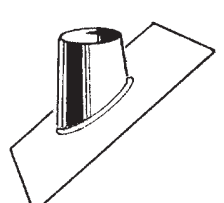
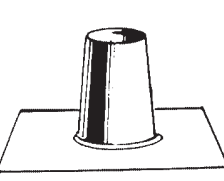
CLEATS, HANGERS, PANNING AND DAMPERS

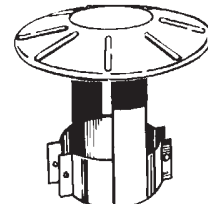

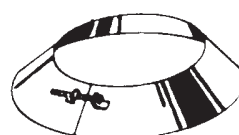
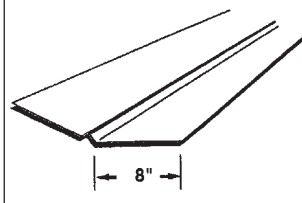
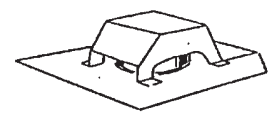
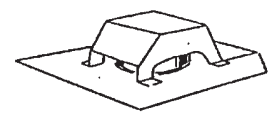
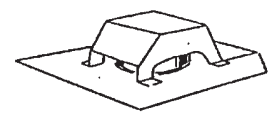


## DIVERTERS AND ROOF PRODUCTS

DIVERTERS AND ROOF PRODUCTS

WYES, TEES, CONDUCTOR BANDS, HOLE CUTTERS AND F.A. INTAKE


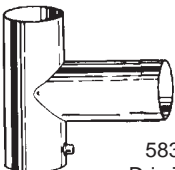
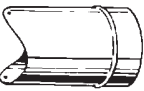
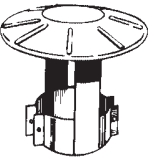
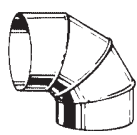

Number and Item	Size A	Hgt. B	Width C	Ctn.	
 <p>No. 27 Round Vertical Diverter</p>	3"	9"	5"	A	
	4"	11 1/2"	8"	S	
	5"	12 3/4"	10"	O R D E R E D	
	6"	14 1/4"	12"		
	7"	18 1/2"	13"		
	8"	19"	15"		
	9"	22 1/2"	7"		
	10"	24"	20"		
	12"	24 1/2"	24"		
	14"				
	16"				
	 <p>No. 28 Horizontal Diverter</p>	Size			Ctn.
		3"		A	
4"		S			
5"		O R D E R E D			
6"					
7"					
8"					
9"					
10"					
12"					
14"					
16"					
 <p>No. 29 90° Square Diverter</p>	No. 29 Available 3" thru 12" Only				
	3"			A	
	4"			S	
	5"			O R D E R E D	
	6"				
	7"				
	8"				
	9"				
	10"				
	12"				
14"					
16"					
 <p>No. 110 0/12-6/12 Roof Flashing</p>	3"		O R D E R E D		
	4"				
	5"				
	6"				
	7"				
	8"				
	9"				
	10"				
	12"				
	 <p>No. 110SP 6/12-12/12 Roof Flashing</p>	Most flashings available in half sizes. Call the factory with your requirements.			
3"					
4"					
5"					
6"					
7"					
8"					
9"					
10"					
12"					
 <p>No. 111 Tall Flat Roof Flashing</p>	Most flashings available in half sizes. Call the factory with your requirements.				
				3"	
				4"	
				5"	
				6"	
				7"	
				8"	
				9"	
				10"	
				12"	

Number and Item	Size	Ctn.														
 <p>No. 30 Adjustable Rain Cap</p>	3"-4 1/2"	12														
	5"-6 1/2"	12														
	7"-9"	12														
	9"-10 1/2"	12														
	10"-11 1/2"	As														
	12"-13 1/2"	Ordered														
	 <p>No. 47 Non-Adjustable Rain Cap</p>	3"	12													
4"		12														
5"		12														
6"		12														
7"		12														
8"		12														
9"		12														
10"		6														
12"		6														
14"		6														
 <p>No. 120 Storm Collar</p>	3"	A S  O R D E R E D														
	4"															
	5"															
	6"															
	7"															
	8"															
	9"															
	10"															
	12"															
	14"															
16"																
18"																
 <p>No. WV-18 W-Valley Roof Flashing</p>	10' Lengths	As Ordered														
	<table border="1"> <thead> <tr> <th>Item</th> <th>Number</th> <th>Size</th> <th>Ctn.</th> </tr> </thead> <tbody> <tr> <td rowspan="3">  <p>Fan Vent Jack</p> </td> <td>428RV</td> <td>4"</td> <td>A</td> </tr> <tr> <td>628RV</td> <td>6"</td> <td>S</td> </tr> <tr> <td>949RV</td> <td>9"</td> <td rowspan="3">O R D E R E D</td> </tr> </tbody> </table>			Item	Number	Size	Ctn.	 <p>Fan Vent Jack</p>	428RV	4"	A	628RV	6"	S	949RV	9"
Item	Number	Size	Ctn.													
 <p>Fan Vent Jack</p>	428RV	4"	A													
	628RV	6"	S													
	949RV	9"	O R D E R E D													

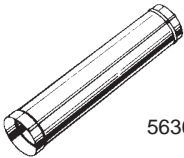
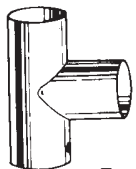
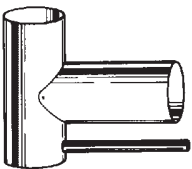

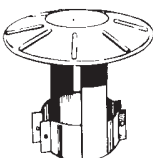
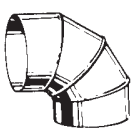
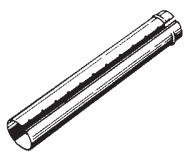


## 26 GA. SS PIPE AND FITTINGS

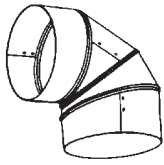
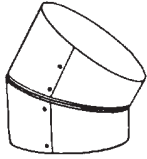
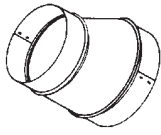


## .032 ALUM PIPE AND FITTINGS

Number and Item	Size	Per Ctn.
 5830 Plain Tee	5"	12 Ea.
	6"	12 Ea.
	7"	6 Ea.
	8"	6 Ea.
 5832 Drip Tee w/Nipple w/Cap	5"	12 Ea.
	6"	12 Ea.
	7"	6 Ea.
	8"	6 Ea.
 5833 Offset	5"	12 Ea.
	6"	12 Ea.
	7"	12 Ea.
	8"	12 Ea.
 5834 Adj. Rain Cap	5"	6 Ea.
	6"	6 Ea.
	7"	6 Ea.
	8"	6 Ea.
 5835 90° Adj.-Elbow	5"	12 Ea.
	6"	12 Ea.
	7"	12 Ea.
	8"	12 Ea.
 5836 Seamed Pipe 36" Length	5"	6 Ea.
	6"	12 Ea.
	7"	6 Ea.
	8"	6 Ea.

Stainless Steel Seamed Pipe Is Prepunched For Easy Installation

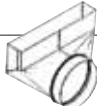
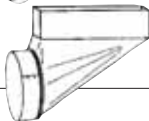
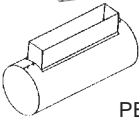
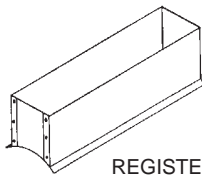
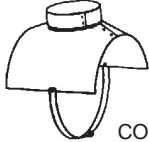
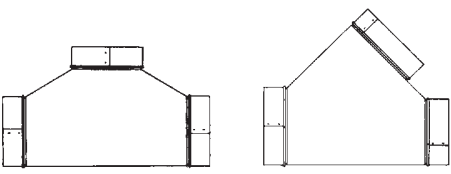
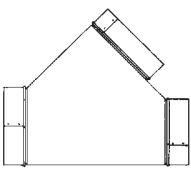
Number and Item	Size	Per Ctn.
 5636 Seamed Pipe 36" Length	5"	6 Jts.
	6"	12 Jts.
	7"	6 Jts.
	8"	6 Jts.
	9"	5 Jts.
 5731 Economy Tee Hole Only w/Cap	4"	12 Ea.
	5"	12 Ea.
	6"	12 Ea.
	7"	6 Ea.
	8"	6 Ea.
	9"	AO
 5732 Drip Tee w/Drain & Cap	4"	12 Ea.
	5"	12 Ea.
	6"	12 Ea.
	7"	6 Ea.
	8"	AO
	9"	AO
 5733 Offset	10"	AO
	12"	AO
	4"	12 Ea.
	5"	12 Ea.
	6"	12 Ea.
	7"	12 Ea.
 5734 Adj. Rain Cap	8"	12 Ea.
	9"	12 Ea.
	4"	12 Ea.
	5"	12 Ea.
	6"	12 Ea.
	7"	12 Ea.
 5735 90° Adj. Elbow	8"	12 Ea.
	9"	12 Ea.
	4"	12 Ea.
	5"	12 Ea.
	6"	12 Ea.
	7"	12 Ea.
 5736 Button Lock 36" Length	8"	12 Ea.
	9"	12 Ea.
	4"	10 Jts.
	5"	10 Jts.
	6"	10 Jts.
	7"	10 Jts.
	8"	10 Jts.
	9"	10 Jts.
	10"	10 Jts.
	12"	10 Jts.

# PVC FITTINGS, FLEX DUCT

Number and Item	Size	Ctn.
 PVC3 ELBOW	3"	12
	4"	12
	5"	12
	6"	12
	7"	12
	8"	12
	9"	12
	10"	12
	12"	4
14"	4	
 PVC4 ANGLE	3"	24
	4"	24
	5"	24
	6"	24
	7"	24
	8"	24
	9"	24
	10"	24
	12"	8
14"	8	
 PCV66 TAPERED REDUCER	6"	12
	7"	12
	8"	12
	9"	12
	10"	12
	12"	12
 PVC 64 END CAP	3"	12
	4"	12
	5"	12
	6"	12
	7"	12
	8"	12
	9"	12
	10"	12
	12"	12
	14"	12
 PVC 940 CONNECTOR	3"	12
	4"	12
	5"	12
	6"	12
	7"	12
	8"	12
9"	12	
10"	12	
12"	12	
14"	12	

### SPRAY

A special formula of poly-vinyl chloride for air drying. In aerosol can for quick scratch repair.  
(12 cans per case)

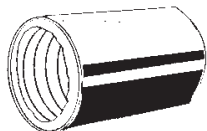
Number and Item	Size	Collar	Ctn.
 PVC13 REGISTER BOOT	2 1/4x10	6" or 8"	12
	2 1/4x12	6" or 8"	12
	2 1/4x14	6" or 8"	12
	4x10	6" or 8"	12
 PVC17 END BOOT	4x12	6" or 8"	12
	4x14	6" or 8"	12
	2 1/4x10	6,8,10,12,14	12
 PVC103 REGISTER PERIMETER TEE	2 1/4x12	6,8,10,12,14	12
	2 1/4x14	6,8,10,12,14	12
	4x10	6,8,10,12,14	12
	4x12	6,8,10,12,14	12
	4x14	6,8,10,12,14	12
 PVC 101 REGISTER SADDLE	REGISTER OPENING		Ctn.
	6"	2 1/4 x 10	12
		2 1/4 x 12	12
		2 1/4 x 14	12
		4 x 10	12
 PVC404 COLLAR SADDLE	DUCT DIA. COLLAR DIA.		Ctn.
	8"	6"	12
	10"	6", 8"	12
	12"	6", 8", 10"	12
	14"	6", 8", 10"	12
 PVC 90° TEE JOINTS	 PVC719 45° TEE JOINTS	Size	Ctn.
		3"	A
		4"	S
		5"	O
		6"	R
		7"	D
		8"	E
		9"	R
		10"	E
		12"	E
14"	D		

### TAPE



Normally all that is needed to complete an installation are sheet metal screws and PVC Tape. Tape is strong, permanent; ideal for use underground. Has superior adhesive quality in hot or cold weather.  
2" x 108 ft. (24 rolls per case)

## INSULATED FLEXIBLE DUCT

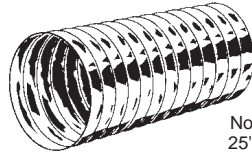


No. GP250C  
25' Lengths

- UL 181 Class 1
- NFPA 90A and 90B
- "R" Factor 4.2
- "K" Factor .262 at 75F
- Positive Static Pressure 10" W.G.
- Negative Static Pressure 1/2" W.G.
- Max. Velocity 6000 F.P.M.
- Operating Temp 20° to 265°F

Item	Size	Feet Per Ctn.
No. GP250C Insulated Flex Duct 25' Lengths	4"	25
	5"	25
	6"	25
	7"	25
	8"	25
	9"	25
	10"	25
	12"	25
	14"	25
	16"	25
	18"	25

## UNINSULATED FLEXIBLE DUCT


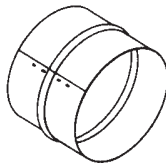


No. RD250  
25' Lengths

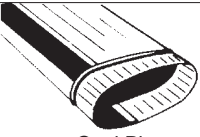
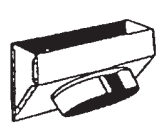
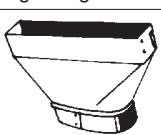
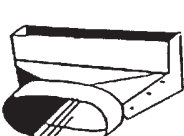



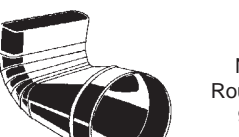

- UL Class 1 Air Duct Connector
- NFPA 90A
- Positive Static Pressure 6" W.G.
- Negative Static Pressure 1/2" W.G.
- Max. Velocity 6000 F.P.M.
- Operating Temp. 0° to 200° F

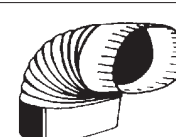
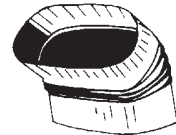


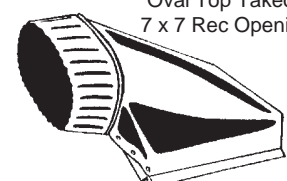
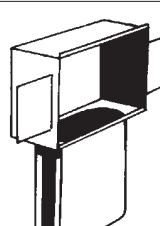
Item	Size	Feet Per Ctn.
No. RD250 Uninsulated Flex Duct 25' Lengths	3"	50
	4"	50
	5"	50
	6"	50
	7"	50
	8"	50
	9"	50
	10"	50
	12"	50
	14"	50
	16"	50
	18"	50

## INSULATED SLEEVE

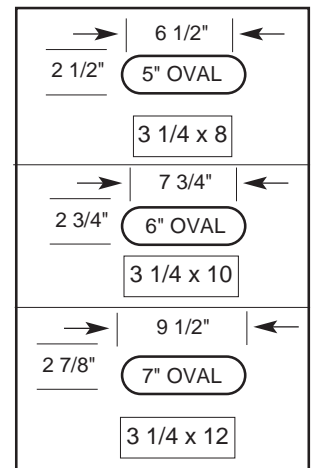
Item	Size	Feet Per Ctn.
 INS5 5' Lengths	4"	100'
	5"	100'
	6"	100'
	7"	75'
	8"	50'
	9"	50'
	10"	50'
	12"	40'
	14"	40'
	16"	40'
18"	40'	
 940 Flex Duct Connector 5" Body	4"	12
	5"	12
	6"	12
	7"	12
	8"	12
	9"	AO
	10"	AO
	12"	AO
	14"	AO
	16"	AO
18"	AO	


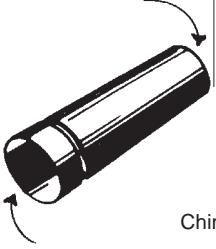
# OVAL PIPE AND FITTINGS





Number and Item	Length	Pipe Size	Per Ctn.
 Oval Pipe No. OP60 and No. OP100	60"	5"	10
		6"	10
		7"	10
	100"	5"	5
		6"	5
		7"	5
 No. 601 Angle Register Box	Size	Collar	Per Ctn.
	2 1/4 x 12	6"	12
	4 x 10	5"	12
	4 x 10	6"	12
	4 x 10	7"	12
	4 x 12	5"	12
	4 x 12	6"	12
	4 x 12	7"	12
 No. 602 Straight Register Boot	2 1/4" x 12"	5"	12
	2 1/4" x 12"	6"	12
	2 1/4" x 12"	7"	12
 No. 604 90° Register Boot	2 1/4" x 12"	5"	12
	2 1/4" x 12"	6"	12
	2 1/4" x 12"	7"	12
	4 x 10	6"	12
	4 x 12	6"	12
	2 1/4 x 10	6"	12
	2 1/4 x 12	6"	12
	4 x 12	7"	12
	6 x 12	7"	12
 No. 605 Straight Register Box	4 x 10	5"	12
	4 x 10	6"	12
	4 x 12	6"	12
	4 x 12	7"	12
 No. 6012 Round to Oval Straight Boot	Size	Per Ctn.	
	5"	12	
	6"	12	
 No. 6013 Oval to Oval End Boot	7"	12	
 No. 6014 Round to Oval 90° Boot			
 No. 6015 Round to Oval End Boot			




Number and Item	Size	Ctn.	
 No. 6033 Vertical 90° Elbow	5"	12	
	6"	12	
	7"	12	
 No. 6034 Vertical 45° Angle			
 No. 6035 Flat 90° Elbow			
 No. 6036 Flat 45° Angle			
 No. 6075 Oval Top Takeoff 7 x 7 Rec Opening	5"	12	
	6"	12	
	7"	12	
Number and Item	Size	Collar	Ctn.
 No. 6037 Stackhead	6" x 10"	5	12
	6" x 10"	6	12
	6" x 10"	7	12
	4" x 12"	5	12
	4" x 12"	6	12
	4" x 12"	7	12
	6" x 12"	5	12
	6" x 12"	6	12
	6" x 12"	7	12

BRANCH DUCT	AREA SQ. IN
5" Round	19.6
6" Round	28.3
7" Round	38.5
5" Oval	17.2
6" Oval	22.2
7" Oval	27.3
3 1/4 x 8 Stack	26.0
3 1/4 x 10 Stack	32.5
3 1/4 x 12 Stack	39.0



No. and Lengths	Size	Per Ctn.
 <p>12" Pipe</p>	5"	20 Jts.
	6"	20 Jts.
	7"	20 Jts.
	8"	20 Jts.
<p>24", 36" Pipe</p>	5"	10 Jts.
	6"	10 Jts.
	7"	10 Jts.
	8"	10 Jts.
<p>SLIPS INTO STOVE PIPE</p>  <p>No. 906 Chimney Adapter</p> <p>SLIPS OVER INNER LINER OF CLASS A CHIMNEY</p>	6"	1
	7"	1
	8"	1

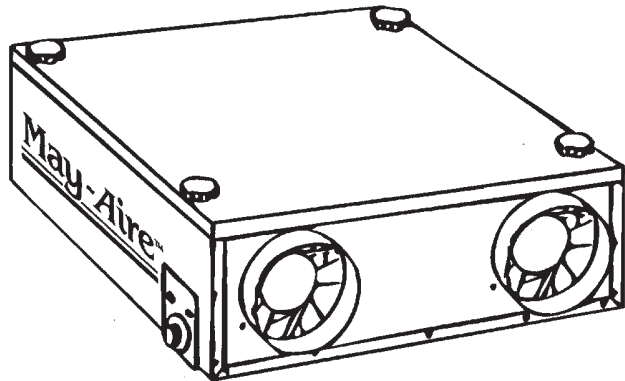
No. and Lengths	Size	Per Ctn.
 <p>No. 906012</p> <p>Oval to Round Transition</p>	6"	12
	7"	12
	8"	12
 <p>No. 9051PL No. 9052CR</p>	5"	12
	6"	12
	7"	12
	8"	12
 <p>No. 9090 Connector</p>	6"	A/O
	7"	A/O
	8"	A/O
 <p>No. 9015 (Big End Crimped) No. 9016 (Sm. End Crimped)</p> <p>No. 9020 (No Crimp)</p>	6"	12
	7"	12
	8"	12
	9"	12
	10"	12

No. and Lengths	Size	Per Ctn.
 <p>90° Elbow</p>	5"	12
	6"	12
	7"	12
	8"	12
 <p>45° Angle</p>	6"	24
	7"	24
	8"	24
 <p>No. 9045 Tee</p>	6"	A/O
	7"	A/O
	8"	A/O

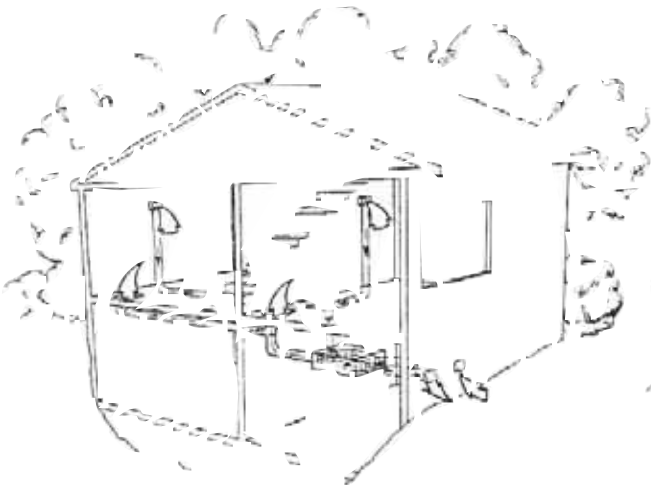
# May-Aire™

## Fresh Air Exchanger

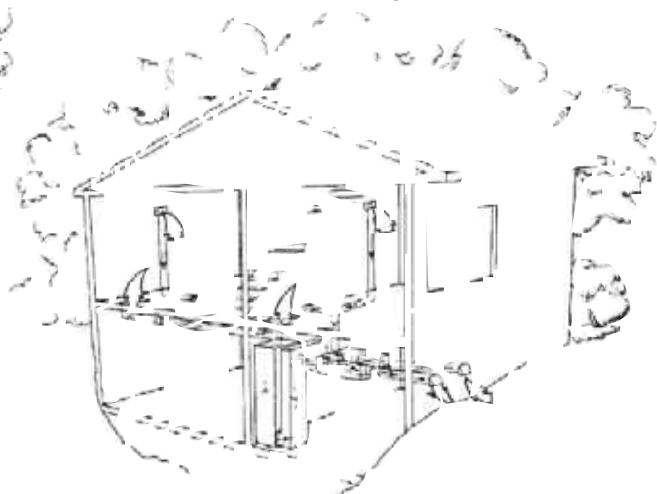
- Reduces Humidity
- Eliminates Odors
- Ease of Installation
- Auto-Defrost
- Variable Speed Fan
- Lightweight/Compact
- Quiet Operation



## Independent System



## Forced Air Furnace System



## INDEX – PRODUCTS AND PAGE NUMBERS

Item	Page
<b>ALUMINUM PRODUCTS</b> .....	16, 17
<b>BLACK PIPE/FITTINGS</b> .....	20
<b>FLEX DUCT</b> .....	Part No.
FLEX DUCT INSULATED.....	GP250 ..... 18
FLEX DUCT UNINSULATED .....	RD250 ..... 18
Flex Duct Connector .....	940 ..... 18
INSULATED SLEEVE .....	INS5 ..... 18
ALUMINUM FLEX.....	931 ..... 16
Alum Flex Duct Connector .....	939 ..... 16
<b>GALVANIZED</b>	
<b>CAPS</b>	
Duct End .....	212, 212FSD ..... 4
Pipe End .....	64, 65 ..... 13
Rain Cap .....	30, 47 ..... 15
Stack End.....	213 ..... 9
<b>CEILING DIFFUSER BOX</b> .....	914, 916, 917 ..... 9
<b>CEILING HEADS</b> .....	20 ..... 8
<b>CLEATS</b>	
Drive.....	18 ..... 12
"S" .....	20 ..... 12
Standing "S" .....	22 ..... 12
<b>CONDUCTOR BAND</b> .....	600 ..... 14
<b>DAMPER BOX</b>	
Swamp Cooler .....	SC ..... 12
<b>DAMPERS</b>	
Round .....	8, 9 ..... 12
Volume .....	12 ..... 13
<b>DIVERTERS</b>	
Horizontal .....	28 ..... 15
Round .....	27 ..... 15
Square .....	29 ..... 15
<b>DRAWBANDS</b> .....	S55, S75 ..... 5
<b>DRYER VENT</b> .....	500 ..... 16
Hose .....	VF50 ..... 16
Hose Clamp .....	VC923 ..... 16
<b>DRYER VENT BOX</b> .....	502-4, 502-6 ..... 14
<b>DUCT/FITTINGS</b>	
4', 5' and 8' Duct.....	100 ..... 4
Starting Collars .....	45, 50 ..... 4
Transitions .....	46L, 47C, 48R ..... 4
Elbows .....	190, 116 ..... 4
Angles .....	106, 109 ..... 4
Reducers .....	113, 49, 49S ..... 4
End Caps .....	212, 212FSD ..... 4
<b>ELBOWS/ANGLES (ROUND)</b>	
All gauges & sizes.....	3,4 ..... 5
<b>FILTER RACKS</b> .....	FR ..... 4
<b>FRESH AIR INTAKE</b> .....	444 ..... 14
<b>HANGERS</b>	
Duct.....	333 ..... 12
Pipe.....	344 ..... 12
<b>HOLE CUTTER</b>	
Multi-cut.....	SM3-12 ..... 14
<b>PANNING</b>	
Galvanized .....	16 ..... 12
Aluminum.....	16A ..... 12
Joist Pan Header .....	15A, 15G, 19A, 19G ..... 12
<b>PERIMETER BOOTS</b> .....	P5, P7, P13, P17, P17L, P17R, PB13 ..... 8
<b>PIPE (ROUND)</b>	
All gauges & sizes.....	1 ..... 5
<b>GALVANIZED (Continued)</b>	
<b>PIPE &amp; DAMPER SECTION</b> .....	PDS ..... 13
<b>PLENUMS</b> .....	99, 99U ..... 3
<b>REDUCERS (ROUND)</b>	
Tapered.....	66 ..... 13
Flat .....	61 ..... 13
<b>REGISTER BOXES</b>	
Funnel .....	82 ..... 9
Floor.....	80 ..... 11
Takeoff .....	101 ..... 11
<b>REGISTER FRAMES</b>	
Wall .....	24F, 24FD ..... 11
Plaster Guard .....	60 PLAST ..... 11
<b>REGISTER HEADS</b> .....	2S, 2L, 2D, 32, 26 ..... 11
<b>RETURN AIR DROPS</b>	
R.A. Drop Assembly .....	71-2315 ..... 3
R.A. Assembly .....	70, 70K, 71, 71K ..... 3
R.A./Support Box.....	SB30, SB38 ..... 3
R.A./Support Box/w Filter....	SBF 30, SBF 36 ..... 3
<b>ROOF PRODUCTS</b>	
Flashing.....	110, 110SP, 111 ..... 15
Rain Caps .....	30, 47 ..... 15
Storm Collar .....	120 ..... 15
W-Valley.....	WV-18 ..... 15
Vent Jack.....	15 ..... 15
<b>SADDLES</b>	
45° and 90° .....	403, 404 ..... 13
<b>SPIN-INS</b>	
Metal .....	94, 95, 96, 97 ..... 7
Duct Board .....	90, 91, 92, 93 ..... 7
Bellmouth Metal .....	951, 952, 953, 954 ..... 7
Bellmouth Duct Board .....	955, 956, 957, 958 ..... 7
<b>TAKEOFFS</b>	
Pivot.....	S5 ..... 6
Half Tab .....	T5 ..... 6
Full Tab.....	T7 ..... 6
Rect. to Rd. ....	T10, T12, T14, T15, T16, T17, T19 ..... 6
Duct Board .....	89 ..... 6
Metal .....	T27 ..... 6
A Collar .....	T25, T26 ..... 6
<b>TEES</b>	
Standard 90° .....	6 ..... 5
Water Heater.....	421, 420, 490 ..... 14
Tee Wye.....	719 ..... 14
Branch Wye .....	720 ..... 14
<b>THIMBLE</b> .....	24 ..... 14
<b>VENT GRIP</b> .....	107 ..... 13
<b>WALL STACK BOOTS</b> ....	5, 7, 13, 17, 17L, 17R ..... 10
<b>WALLSTACK/FITTINGS</b>	
Wallstack.....	200 ..... 9
Elbow .....	290, 216 ..... 9
Angle .....	209, 206 ..... 9
End Cap .....	213 ..... 9
Starting Collar .....	35, 36, 40 ..... 10
Boot Extension.....	33 ..... 10
<b>WYES</b>	
Tee.....	719 ..... 14
Branch .....	720 ..... 14
<b>MAY-AIRE</b> .....	20
<b>OVAL PIPE/FITTINGS</b> .....	19
<b>PVC FITTINGS</b> .....	18
<b>STAINLESS STEEL PRODUCTS</b> .....	17



**SNAPPY - GEORGIA**  
3365 Florence Rd  
Powder Springs, 30127  
Phone: 800-888-4391

**SNAPPY - MINNESOTA**  
1011 11th Avenue S.E.  
Detroit Lakes, 56501  
Phone: 800-328-2044

**SNAPPY - NEW YORK**  
214 Commercial St.  
Medina, 14103  
Phone: 800-229-0021

**SNAPPY - OREGON**  
16233 N. East Cameron Blvd.  
Portland, 97230  
Phone: 800-300-1660